

# GASTROBACK®

## Operating Instructions **CLASSIC KITCHEN SCALE**



Art.-No. 60102 »Classic Kitchen Scale«

Read all provided instructions before first use!  
Model and attachments are subject to change!



Carefully read all provided instructions before you start running the appliance and pay attention to the warnings mentioned in these instructions.

## TABLE OF CONTENTS

KNOWING YOUR CLASSIC SCALE .....	11
ASSEMBLING AND DISASSEMBLING THE APPLIANCE.....	12
OPERATING.....	13
CARE AND CLEANING.....	14
NOTES FOR DISPOSAL.....	14
INFORMATION AND SERVICE .....	14
WARRANTY.....	14

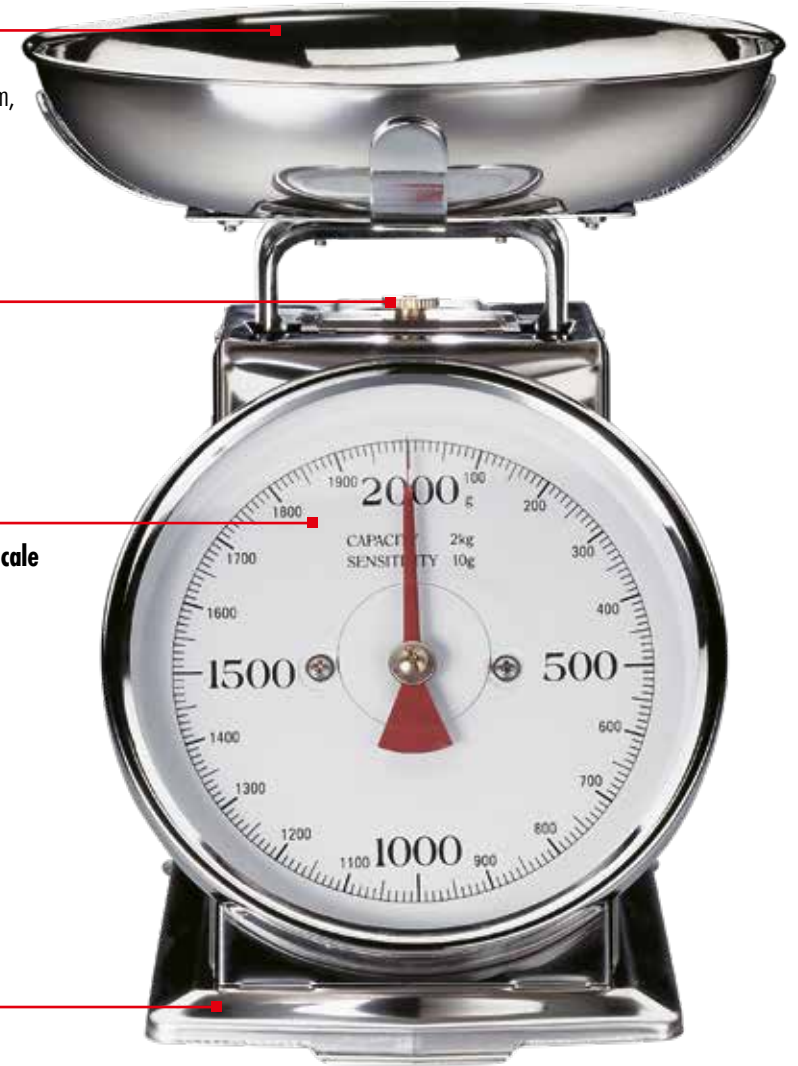
## KNOWING YOUR CLASSIC SCALE

**weighing pan**  
removable, Ø 205 mm,  
stainless steel

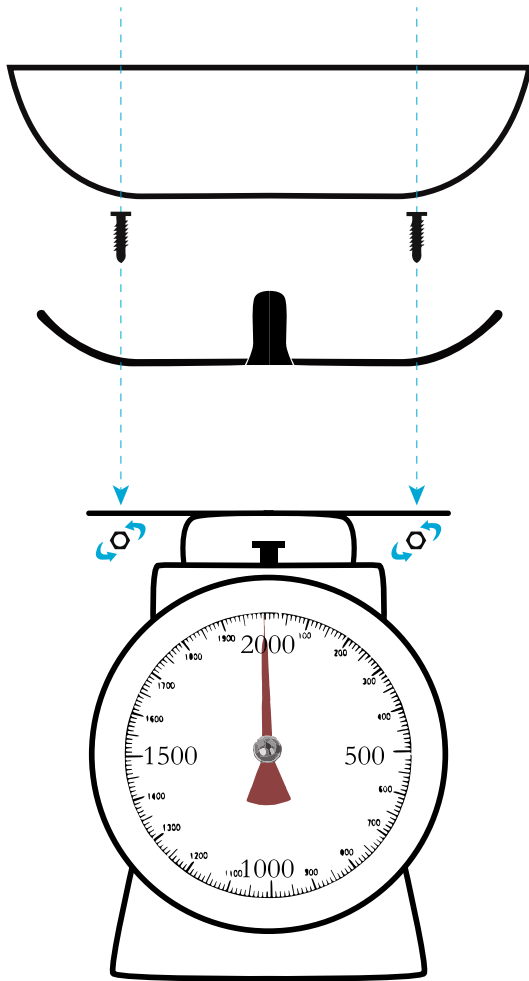
**button**  
to set the tare weight

**large measuring scale**  
analog, maximum  
capacity 2 kg

**housing**  
of stainless steel

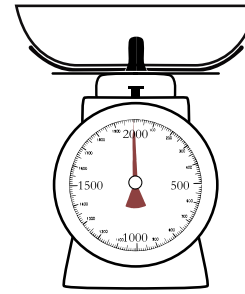


## ASSEMBLING AND DISASSEMBLING THE APPLIANCE

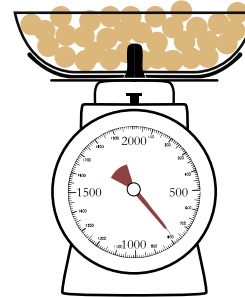


1. Turn off the scale on a fixed surface.
2. Insert the two scale pan fixtures with the allocated troughs into each other.
3. Place the weighing pan fortifications on the pad with the holes, you can attach the scale cup fixtures with the provided screws subsequently. Insert the screws through the holes and screw the nuts on the screws until they are tight and the scale cup fixtures do not move any longer.
4. You can put the weighing pan on the scale pan fixtures afterwards.

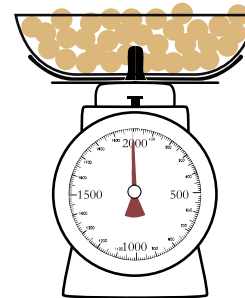
## OPERATING



1. Turn the button until the red arrow on the measuring scale is pointing straight up, if you want to reset the value to "zero".



2. Fill the weighing pan. The red arrow on the measurement scale indicates depending on the weight addition.



3. You can set the value back to "zero" by turning the button repeatedly until the red arrow on the measuring scale is pointing straight up. The weighing scale can remain filled.

## CARE AND CLEANING

The weighing tray can be cleaned in the automatic dishwasher. Do not clean the rest of the scale in the automatic dishwasher.

From the outside, the scale can be cleaned with a soft, damp cloth.

Attention: Do not dive the measurement scale under water or under running water.

## NOTES FOR DISPOSAL



Dispose of the appliance and packaging must be effected in accordance with the corresponding local regulations and requirements for electrical appliances and packaging. Please contact your local disposal company.

Do not dispose of electrical appliances as unsorted municipal waste, use separate collection facilities. Contact your local government for information regarding the collection systems available. If electrical appliances are disposed of in landfills, dumps, or refuse incineration, hazardous substances can leak into the groundwater or can be emitted into air, thus getting into the food chain, and damaging your health and well-being. When replacing old appliances with new once, the retailer is legally obligated to take back your old appliance for disposal at least for free of charge.

## INFORMATION AND SERVICE

Please check [www.gastroback.co.uk](http://www.gastroback.co.uk) for further information. For technical support, please contact Gastroback Customer Care Center by phone: +49 (0)4165/22 25-0 or e-mail [info@gastroback.co.uk](mailto:info@gastroback.co.uk).

## WARRANTY

We guarantee that all our products are free of defects at the time of purchase. Any demonstrable manufacturing or material defects will be to the exclusion of any further claim and within 2 years after purchasing the appliance free of charge repaired or substituted. There is no Warranty claim of the purchaser if the damage or defect of the appliance is caused by inappropriate treatment, over loading or installation mistakes. The Warranty claim expires if there is any technical interference of a third party without a written agreement. The purchaser has to present the sales slip in assertion-of-claim and has to bear all charges of costs and risk of the transport.

### Note:

Customers from Germany and Austria: For repair and service, please send Gastroback products to the following address: Gastroback GmbH, Gewerbestr. 20, D-21279 Hollenstedt, Germany.

Customers from other countries: Please contact your dealer.

Please agree that we cannot bear the charge of receipt. Submission of appliances: Please ensure packing the appliance ready for shipment without accessories. Add the sales slip and a short fault description. The processing time after receipt of the defective appliance will be approx. 2 weeks; we will inform you automatically. After the warranty period, please send defective appliances to the given address. You will get a free quotation and, thereafter, can decide, whether we shall repair the appliance to the costs possibly accrued, send back the defective appliance for free of charge, or dispose of the appliance for free of charge.

**The appliance is intended for household and occasional commercial use. Do not attempt to use this appliance in any other way or for any other purpose than the intended use, described in these instructions. Any other use is regarded as unintended use or misuse, and can cause severe injuries or damage. There is no warranty claim of the purchaser if any injuries or damages are caused by unintended use.**

The warranty period will be reduced to 1 year, if the appliance is used commercially.

## **GASTROBACK GmbH**

Gewerbestraße 20 · 21279 Hollenstedt / Germany

Telefon +49 (0)41 65/22 25-0 · Telefax +49 (0)41 65/22 25-29

info@gastroback.co.uk · [www.gastroback.co.uk](http://www.gastroback.co.uk)