

GASTROBACK®

OPERATING INSTRUCTIONS
DESIGN KETTLE COOL TOUCH



Art.-No. 62436 »Design Kettle Cool Touch«

Read all provided instructions before first usage!
Model and attachments are subject to change
For household use only!



We attach a certain importance to your safety. Thus, we ask you to read all provided instructions and information in this booklet carefully and completely, before you start running the appliance. This will help you to know all functions and properties of your new appliance. We especially ask you to adhere strictly to the safety information mentioned in these instructions.

TABLE OF CONTENTS

Knowing Your Design Kettle Cool Touch	28
Important Safeguards	29
General Safety Instructions.....	29
Important Safeguards for Electrical Appliances	31
High Temperature—Risk of Burns	33
Technical Specifications	34
Properties of Your Design Kettle Cool Touch	35
Before First Use.....	36
Operation	36
Selecting the desired temperature	38
Solving Problems.....	39
Care and Cleaning	40
Cleaning the Appliance.....	41
Descaling the Kettle.....	41
Storage	42
Notes for Disposal	42
Information and Service.....	43
Warranty.....	43

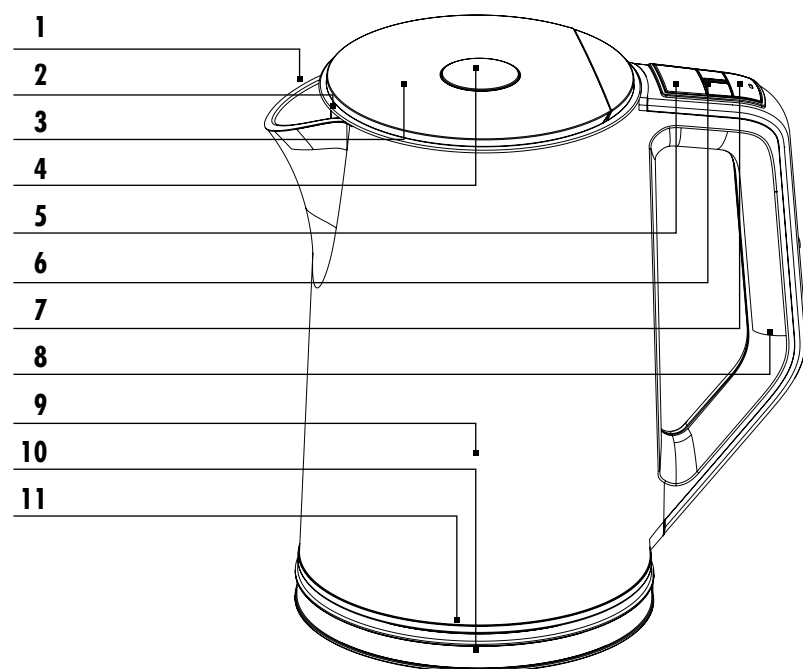
DEAR CUSTOMER!

Due to the high power heating elements and the double-walled kettle the electronic »Design Kettle Cool Touch« will bring clear drinking water quickly to the preselected temperature in the range of 35 °C to 100 °C (boiling). Thereafter, the appliance will switch to the keep warm function automatically. Via the high-quality thermostat the set water temperature will always been kept. In comparison to usual water kettles, the energy loss is reduced and the exterior of the kettle will only get hot in the area of the upper rim. To round off performance, the dry boil protection ensures safe operation and an automatic shut-off function switches off the heating elements at least after 1/2 hour avoiding useless energy consumption.

We hope that you will enjoy your new »Design Kettle Cool Touch«.

Your Gastroback GmbH

KNOWING YOUR NEW DESIGN KETTLE COOL TOUCH



1 | Spout

2 | Splashing protection

To reduce splashing when boiling water is poured.

3 | Lid

Opens when pressing the lid button.

4 | Lid button

Pull this lever up to open the lid.

5 | Display

Showing the current water temperature or the currently set temperature.

6 | Temperature selection buttons „KEEP WARM“ and „TEMP“

Press here to select the desired water temperature

7 | ON/OFF button

Press here to start or cancel operation.

8 | Handle

9 | Kettle

May heat 0.5 litre (MIN) to 1.5 litre (MAX) of clear tap water.

10 | Base

11 | Power socket

For automatically connecting the kettle to the power supply, when the kettle is placed onto the base.



IMPORTANT SAFEGUARDS

Carefully read all instructions, before operating this appliance and save for further reference. Do not attempt to use this appliance for any other than the intended use, described in these instructions. Any other use, especially misuse, can cause severe injuries or damage by electric shock, heat, or fire.

These instructions are an essential part of the appliance. Do not pass the appliance without this booklet to third parties.

Any operation, repair and technical maintenance of the appliance or any part of it other than described in these instructions may only be performed at an authorised service centre (see: 'Warranty').



GENERAL SAFETY INSTRUCTIONS

This appliance is for household use only and NOT intended for use in moving vehicles. Do not operate or store the appliance in humid or wet areas or outdoors. Any use of accessories, attachments or spare parts that are not recommended by the manufacturer or damaged in any way may result in injuries to persons and/or damage.

DO NOT leave the base of the appliance unattended while connected to the power supply.

Check the entire appliance regularly for proper operation (e.g. check for distortion, cracks, leaks, corroded pins of the power plug). Do not operate the appliance, when liquids escape during operation. Do not operate the appliance, when the appliance or any part of it is likely to be damaged, to avoid risk of fire, electric shock or any other injuries to persons and/or damage. The appliance or its parts are likely to be damaged, if the appliance has been subject to inadmissible strain (e.g. over heating, mechanical or electric shock), or if there are any cracks or leaks, excessively frayed or melted parts, or distortions, or if the appliance is not working properly. If one of these cases occur during operation, immediately unplug the appliance, and get in contact with an authorized service centre for examination and/or repair. Do not attempt to use the appliance when the appliance or any part of it is damaged. Do not attempt to open the housing of the appliance.

Operate the appliance on a well accessible, stable, level, clean, dry, and

suitable large table or counter that is resistant against heat and water. Always wipe off spilled liquids immediately.

Do not place any clothes or tissue or other foreign objects under or on the appliance during operation, to avoid risk of fire, electric shock and overheating. Do not place the appliance over a power cord or on wet or inclined surfaces (e.g. sink or drain board).

This appliance is NOT intended for use or handling by persons (including children from 8 years and above) with reduced physical, sensory or mental capabilities, or lack of experience and knowledge, unless they have been given supervision or instruction concerning the use of the appliance by a person responsible for their safety. Even cleaning may not be performed by children without supervision. **Children must always be supervised to ensure that they do not play with the appliance or any parts of the appliance or the packaging.** Always keep the appliance where it is dry, frost-free, and clean, and **where young children cannot reach it.** Do not leave the appliance or any part of it unattended, when in reach of young children.

Do not place the appliance or any part of it on or near hot surfaces (e.g. burner, heater, or oven). Do not use any parts of the appliance with any other device or for any purpose not described in this booklet. Do not handle the appliance or any part of it with violence.

Always switch OFF the appliance (remove the kettle from the base), unplug and wait for the appliance to cool down completely, before cleaning the appliance and when the appliance is not in use. Do not use any hard or sharp-edged objects with the appliance (e.g. forks, knives, scrapers). The appliance is intended for heating clear drinking water. For de-scaling, only use the liquids recommended in this booklet. Do not fill in any other liquids or food to avoid injuries and damage due to fire, electric shock, and high temperatures. To avoid overheating, before operation, always fill a sufficient amount of clear drinking water into the water kettle (at least 0.5 litre / MIN). **Do not operate the appliance with the water kettle empty.** However, do not fill in more than the maximum amount (1.5 litre / MAX). If the kettle is overfilled, boiling water may splash out.

If liquids run out or are spilled onto the exterior of the base or kettle, imme-

diately unplug the appliance. Always wipe off spilled liquids immediately. If in doubt, check the kettle for leakage, before operating the appliance again.

Do not place any hard and/or heavy objects on or in the appliance or any part or accessory of it.

Do not use any abrasive cleaners, cleaning pads (e.g. metal scouring pads), or any corrosive chemicals (e.g. bleach) for cleaning. **Do not place the appliance or any part of it in an automatic dishwasher!**

Depending on the hardness of your water, you need to de-scale the kettle regularly. A large amount of scale will lead to energy loss and could cause damage to the appliance (see: 'Care and Cleaning').



IMPORTANT SAFEGUARDS FOR ELECTRICAL APPLIANCES

The appliance is heated electrically. Place the appliance near a suitable wall power outlet to connect the appliance directly to a separately connected and protected mains power supply with protective conductor (earth/ground) connected properly. Ensure that the ratings of your mains power supply correspond to the requirements of the appliance (220/240 V AC, 50/60 Hz, rated for 16 A).

The installation of a residual current operated circuit breaker (r.c.c.b.) with a maximum rated residual operating current of 30 mA in the supplying electrical circuit is strongly recommended. If in doubt, contact your electrician for further information.

In various foreign countries, the specifications for power supplies are subject to incompatible norms. Therefore it is possible that power supplies in foreign countries do not meet the requirements for safe operation of the appliance. Thus, before operating the appliance abroad, ensure that safe operation is possible.

Do not use any desk top multi socket outlet, external timer, remote control systems or extension cord. The power outlet must always be easily accessible so that it would be possible to unplug the appliance immediately in case of any malfunction or danger.

The pins of the power plug and the power connector in the bottom of the

kettle must be smooth and clean without discolourations. Especially keep the power connector (kettle) and power socket (base) always completely dry. **Do not poke in the power socket or power connector. Do not attempt to operate the appliance with the power socket or power connector damaged or polluted in any way to avoid risk of overheating, fire and electric shock.**

Always handle power cords with care. Do not place the appliance on a power cord. Power cords may never be knotted, twisted, pulled, strained or squeezed. Do not let the plug or power cord hang over the edge of the table or counter. The power cord may never touch hot surfaces, sharp edges, or any moving parts. Ensure that no one will pull the appliance by the power cord. Take care not to entangle in the power cord. Always grasp the plug to disconnect the power cord. Do not touch the appliance or power plug with wet hands with the appliance connected to the power supply.

Always unwind the power cord completely for operation to avoid hazard of overheating, fire and electric shock.

Do not place or immerse the base, kettle or power cord in water or any other liquid. DO NOT spill or drip any liquids on the base or the power cord or on the exterior of the kettle to avoid risk of fire and electric shock. When parts of the appliance are leaking during operation and/or liquids accumulate under the base or run down on the exterior of the appliance or any part of it, immediately unplug the appliance. Refer to the instructions in chapter 'Solving Problems'.

Do not place the appliance or any part of it in an automatic dishwasher.

Do not place the base on a metal surface, large bowl, or tray for operation. If water is spilled or runs out and accumulates, there would be severe hazard of short-cut, electric shock, and fire.

A cordless water kettle may never be filled while standing on its base. Always remove the water kettle from the base for filling and pouring. For filling, always open the lid by pressing the opening button.



HIGH TEMPERATURE—RISK OF BURNS

! WARNING! The »Design Kettle Cool Touch« is equipped with electric heating elements for heating up drinking water. Thus, the appliance could cause severe scalds, burns and damage, when used improperly.

Always hold the kettle level when filled, to avoid spilling. The appliance and the contents will be hot even for some time after operation. Always leave the appliance cool down to room temperature, before cleaning or storing the appliance.

Even with the lid properly closed, hot steam and splashes of hot water could escape during operation. Do not hold your face or other parts of your body over or directly near the appliance during operation and while the appliance is still hot to avoid scalds due to steam and splashes.

In the area of the upper rim, even the exterior of the appliance will get very hot during operation. Only touch the appliance at the operating elements and the handle, when it is hot. Before pouring, wait until the water has stopped boiling and then pour carefully to avoid spilling. If the kettle is tilted too much, the water could run out besides the spout, thus getting spilled. Always keep the lid closed during operation and when the water is boiling or still very hot, to avoid scalding.

Always keep the appliance in sufficient distance to the edge of the table or counter and to other objects. For operation, leave at least 1 m of free space above the appliance and at least 20 cm of free space on each side, to avoid damage due to steam and hot water. Do not operate the appliance under overhanging boards and drop-lights or near any delicate objects (e.g. curtains) to avoid damage due to hot steam and water, overheating, and fire.

Do not hold your hands or any foreign objects (e.g. clothes, brushes) into the interior of the kettle with the appliance connected to the power supply.

TECHNICAL SPECIFICATIONS

Model:	Art.-No.: 62436 »Design Kettle Cool Touch«
Power supply:	220-240 V AC, 50/60 Hz
Power consumption:	max. 1850-2200 W
Length of power cord:	approx. 70 cm
Weight:	approx. 1.42 kg
Dimensions: (width x depth x height)	approx. 226 x 154 x 234 mm
Capacity:	0.5 litres (MIN) to 1.5 litres (MAX)
Temperature:	variable from 35°C to 100°C
Certification:	

These specifications may change without notice.

PROPERTIES OF YOUR NEW WATER KETTLE

Your new »Design Kettle Cool Touch« is intended for heating up drinking water to a selectable temperature in the range between 35°C to boiling temperature (100°C). The selected temperature will be maintained for up to 30 minutes. Thereafter, the appliance will shut-off automatically. Via the double-walled kettle, the energy loss during operation is reduced significantly. You may cancel any operating cycle at any time you like by pressing the ON/OFF button again.

IMPORTANT: Always close the lid for operation. With the lid open, the temperature control and automatic shut-off will not work properly and there will be high energy loss.

IMPORTANT: Depending on the water hardness of your drinking water, the appliance needs regular de-scaling (see: 'Care and Cleaning'). Otherwise, the temperature control will not work properly, there will be an increasing energy loss, and overheating of the heating elements could occur.

DISPLAY

When connecting the appliance to the power supply, the actual water temperature in the kettle is shown on the display. When pressing a temperature selection button or the ON/OFF button the kettle will show the set temperature on the display. If you do not press any button for approx. 6 seconds, the actual water temperature in the kettle will be shown again. The water will be heated up to the set temperature and then be kept at this temperature for up to 30 minutes with 3 dots flashing on the display.

IMPORTANT: After 30 minutes of being idle, the appliance will switch OFF completely and the display gets dark, to avoid useless energy loss.

SELF-RESETTING DRY BOIL PROTECTION

The water kettle is fitted with a self-resetting dry boil protection device, which safeguards against overheating of the heating elements. Overheating may be caused by ...

- Too much scale on the heating elements. De-scale the kettle in time (see: 'Care and Cleaning').
- Too little water in the kettle. Always observe the MIN filling level (0.5 litre). Please keep in mind, that water will vaporize, when left for a long time in the kettle on high temperature.

If overheating occurs, the kettle will automatically switch off the heating elements. In this case, remove the kettle from the base and pour out the water. Then leave the kettle cool down by waiting approx. 20 minutes. Thereafter, you can reactivate the appliance.

BEFORE FIRST USE

⚠ WARNING: DO NOT let young children play with the appliance, or any part of it, or the packaging! Always unplug the appliance before cleaning it, and when it is not in use. Do not place or immerse the appliance (base and kettle) or power cord in water or other liquids or spill any liquids on the base, power cord, or the exterior of the kettle. For operation, always unwind the power cord completely to avoid hazard due to overheating, fire, and electric shock. Do not use any abrasive or corrosive cleaners for cleaning to avoid damage to the surfaces. **Do not place the appliance or any part of it in an automatic dishwasher.**

1. Unpack the appliance and all parts and accessories carefully. Check that no parts are damaged or missing (see: 'Knowing Your New Water Kettle'). Carefully remove all packaging, shipping materials, stickers, and promotional materials. However, DO NOT remove the model label.
2. Before first use and after a longer period of storage, clean all parts of the appliance (see: 'Care and Cleaning'). Press the opening button to open the lid. Thereafter rinse the interior of the kettle thoroughly with clear tap water.
3. Select a suitable place for operating the appliance near a sufficient wall power outlet, leaving a distance of at least 20 cm to the edge of the table or counter and to any other object (see: 'General Safety Instructions').
4. Fill the kettle with 1.5 litres of clear drinking water and bring the water to the boil by pressing the ON/OFF button (see: 'Operation'). Thereafter discard the water.
5. Repeat the recent step.
6. Then rinse the kettle with clear tap water. The appliance is now ready for use.

OPERATION

⚠ WARNING: Always ensure that the appliance and all its parts and accessories are **out of reach of young children**. The appliance is intended for heating clear drinking water via electrically powered heating elements. Do not attempt to heat the kettle by any other source of heat. Do not fill in any other beverages, food, or any foreign liquids for operation to avoid injuries and damage due to overheating, fire, electric shock, and high temperatures. Improper use or misuse may cause severe injuries and damage. Unplug the appliance and leave it cool down completely, before cleaning the appliance, and when the appliance is not in use. **Do not leave the base unattended while connected to the power supply. Always unplug the base when the appliance is not in use.**

Before operation, ensure that there are no leaks in the kettle. If water runs out during operation, immediately unplug the appliance (see: 'Solving Problems'). Regularly descale the kettle (see: 'Care and Cleaning'). Do not use violence.

Ensure to place the appliance on a level, flat, stable, and dry surface. For operation, do not place the appliance near the edge of the working space or on inclined surfaces. Do not operate the appliance in a tray or tub or on a metal surface to avoid high risk of electric shock, when overflow or splashing of hot water occurs. To avoid overheating, before operation, always fill a sufficient amount of clear drinking water into the kettle (at least 0.5 litre / MIN). **Always remove the kettle from the base and wait until the kettle cooled down, before filling the kettle. Do not operate the appliance with the kettle empty.** However, Do not fill in more than the maximum amount (1.5 litre / MAX). If the kettle is overfilled, boiling water may splash out. Always ensure to hold the kettle level, when it is filled. Do not leave water in the kettle after use, to avoid excessive build-up of scale.

1. Place the base on the designated working place near an appropriate wall power outlet.
2. Remove the kettle from the base and open the lid. To open the lid, press the opening button on top of the lid.
3. Fill the desired amount of clear drinking water into the kettle. **Ensure that the filling level is between MIN (0.5 litres) and MAX (1.5 litres).** Always keep the kettle level, as soon as it is filled.

IMPORTANT: When filling the kettle, ensure not to spill water on the exterior of the kettle. If required, wipe dry the exterior of the kettle, before placing the kettle onto the base.

4. Close the lid by pressing the lid down until it settles in place.

IMPORTANT: Do not operate the kettle with the lid open. Otherwise, the temperature control and automatic shut-off will not work properly. Additionally, there will be high energy loss.

5. Ensure that the exterior of the kettle is dry. Then place the kettle onto the base and connect the appliance to the power supply. A beep sounds and the display is illuminated. After 2 seconds, the actual water temperature is shown on the display. The appliance is now ready for operation (standby mode).

⚠ WARNING – RISK OF SCALDS: The upper part of the exterior of the kettle will get hot during operation. Only touch the kettle at the operating elements and handle. Even with the lid closed properly, hot steam could escape from under the lid during operation and some minutes thereafter. Do not hold your face, hands, or other parts of your body, or any delicate objects over or directly beside the kettle, if the kettle is still hot.

Note:

The »Design Kettle Cool Touch« is no measuring appliance. There may be differences between the temperature displayed on the display and the actual temperature of the water. Using the temperature selection buttons, you may change the set temperature any time you like before and during operation (see below: 'Selecting the Desired Temperature').

Simply press the ON/OFF button to start the boiling cycle. On the display the set temperature is shown and the kettle starts heating immediately. With none of the temperature selection buttons pressed, the set temperature is always "100"°C. As soon as the water reaches the set temperature, the kettle turns off. To activate keep warm function press the „keep warm“ button. Keeping the water hot for up to 30 minutes. Thereafter, the kettle will shut off and the display gets dark.

IMPORTANT: The maximum water temperature of the keep warm function is limited to 90 °C, because water will evaporate too quickly when kept at a higher temperature. Thus, there would be a high risk of overheating when the water level falls below the minimum amount of 0,5 litres.

Note:

You may cancel the operating cycle at any time by removing the kettle from its base, or by pressing the ON/OFF button. Do not leave the kettle in keep warm operation needlessly to avoid useless energy loss.

SELECTING THE DESIRED TEMPERATURE

The electronic »Design Kettle Cool Touch« can heat water to a selected temperature in the range from 35°C to 100°C (boiling temperature). The set temperature may be modified at any time during operation (heating up or keeping warm) or in standby mode. However, please keep in mind, that the actual water temperature could rise above the set temperature after heating. This will occur especially with a low temperature selected and/or only a small amount of water in the kettle.

1. Press the temperature selection buttons „KEEP WARM“ or „TEMP“ several times until the desired temperature is shown on the display.
2. If the kettle is in standby mode, press the ON/OFF button to start operation. If the kettle is in operation already, the thermostat of the kettle will automatically be adjusted to the newly set temperature.

SOLVING PROBLEMS

If any problems occur during operation, you will find the solution in the following table.

Problem	Reason	The Solution
The display remains dark. No signal sounds, when placing the kettle on the base.	The appliance is not live.	Ensure that the appliance is connected to a suitable wall power outlet. Ensure that the wall power outlet is live by connecting a lamp.
	A severe problem occurred.	Check, if the kettle is connected correctly to the base. Turn it a little. Immediately take the kettle off the base and unplug the base. Get in contact with an authorised service centre for examination and repair.
The kettle is placed on the base and plugged in, but the display is dark.	The automatic shut-off has been triggered.	If no button has been pressed for 30 minutes, the kettle will switch OFF completely to save energy. Simply press a button to reactivate the display.
The appliance is live, but the water is not heated.	The overheat protection system has been triggered.	The kettle has been operated without water or with too little water. Empty the kettle and leave it cool down for at least 20 minutes. Thereafter, fill the kettle with at least 0.5 litres of cold water and try again.
		Too much scale is covering the heating elements, causing overheating. De-scale the kettle (see: 'De-scaling the Kettle').
Water accumulates under the base or runs down on the exterior of the kettle.	There is too much water in the kettle.	Immediately unplug the appliance. Then wipe dry the appliance completely. Always observe the MAX filling level when filling (1.5 litres).
	You spilled some water when filling or moving the kettle.	Immediately unplug the appliance. Then wipe dry the appliance completely. Ensure not to spill water on the exterior of the kettle during filling. Always ensure to hold the kettle level when it is filled.
	The kettle is leaking.	Immediately unplug the appliance and wipe dry the appliance completely. Then check the kettle for leakage. Do not use the appliance, if the kettle is leaking.

Problem	Reason	The Solution
The base gets unexpectedly hot during operation.	The power cord has been wound partly around the cable storage during operation.	Always unwind the power cord completely before operation to avoid overheating.
	The power socket in the centre of the base or the pins at the bottom of the kettle are damaged or corroded.	Immediately unplug the appliance. Check the power connection at the bottom of the kettle and the power socket of the base for discolouration, distortion or corrosion. Do not use the appliance again, if the pins are not smooth and clean. There is no use in trying to clean or repair the pins of the power connector as the power socket in the base will be affected as well.
	The power cord is damaged.	Contact an authorised service centre for replacement.

CARE AND CLEANING

⚠ WARNING: Always switch OFF (lift the kettle from the base), unplug, and leave the appliance cool down, before cleaning the appliance. Always ensure that all parts of the appliance are **out of reach of young children**.

Do not spill or pour any liquids on or in the base or power cord. Do not place or immerse the appliance or any part of it in any liquids to avoid damage, risk of fire, and electric shock. Especially keep the power socket at the base and the power connector in the bottom of the kettle always completely dry. **Do not attempt to clean the power socket or the power connector, to avoid damage.**

Do not use abrasive cleaning agents or aggressive liquids (e.g. bleach, soling agents) for cleaning the appliance or any part of it, to avoid damage to the surfaces and seals. Do not use any hard or sharp-edged objects for cleaning (e.g. scoring pads, knives, scrapers). Do not use violence.

DO NOT clean the appliance or any part of it in an automatic dishwasher!

Depending on the water hardness and the frequency of usage, the interior of the kettle gets coated with grey or sand-coloured scale. To keep the appliance always ready for usage, and to avoid damage to the heating elements, you should de-scale the kettle in time (see: 'De-scaling the Kettle'). **However, do not use any de-scaling solution not recommended in this booklet, to avoid damage to the walls and seals of the kettle.**

Do not breath-in any vapours escaping from de-scaling solutions to avoid injuries to your respiratory tracts. Always ensure good ventilation during de-scaling.

CLEANING THE APPLIANCE

The kettle demands only little cleaning effort. In most cases, it is sufficient to rinse the kettle with clear tap water after use. However, depending on the water hardness of your water, to avoid build-up of scale on the surfaces, clean and de-scale the appliance regularly.

1. Always remove the kettle from the base, unplug, and leave the appliance cool down to room temperature, before cleaning the appliance.
2. Open the lid of the kettle and rinse the interior of the kettle thoroughly with tap water. If required, de-scale the kettle (see below).

⚠ CAUTION: Always keep the power socket in the middle of the base and the power connector in the bottom of the kettle completely dry. Avoid spilling or dripping any liquid onto the base.

3. Wipe the base and power cord with a slightly damp cloth. Always ensure to keep the power socket completely dry.
4. Wipe the exterior of the kettle with a damp cloth, removing any residues of scale and splashes.
5. Thoroughly wipe dry all parts. Thereafter, leave the parts of the appliance dry naturally for approx. 30 minutes, where they are **out of reach of young children**.

IMPORTANT: Please de-scale the kettle regularly (see: 'De-scaling the Kettle').

DE-SCALING THE KETTLE

For de-scaling you may use white vinegar.

1. Fill the kettle with 1/2 litre of vinegar and add approx. 1 litre water up to the MAX level. Leave the kettle stand for at least 1 hour.
2. With large amounts of scale, to assist de-scaling, you may warm up the solution up to **the lowest possible temperature** (35 °C) and leave the kettle stand until the keep warm cycle finished (approx. 30 minutes). Ensure good ventilation, when warming up the vinegar solution.
3. Empty the kettle and rinse the interior of the kettle with clear tap water.
4. Then fill the kettle to the maximum (1.5 litres) and bring the water to the boil. Discard the water and rinse the kettle again.
5. Repeat the complete procedure, if there is still any scale left.

STORAGE

⚠ WARNING: Young children must be supervised that they do not play with the appliance or any part of it. When the appliance is not in use, always unplug the appliance. Always leave the appliance cool down, before cleaning or storing the appliance. Do not leave the appliance unattended while connected to the power supply to avoid risk of injuries, electric shock, and fire.

Clean the appliance before storing (see: 'Care and Cleaning').

Do not hold the appliance by the lid or power cord for moving the appliance to avoid damage. Always handle the power cord with care. The power cord may never be knotted, twisted, pulled, strained or squeezed. Do not let the plug or power cord hang over the edge of the table or counter. For storage, you may wind the power cord around the cord storage at the bottom of the base.

Do not place any hard or heavy objects on or in the appliance or any part of it. Do not use any parts or accessories of the appliance for any other appliance or any other purpose than described in this booklet.

Please store the appliance in a frost free, clean and dry place where it is **out of reach of young children** and is protected against excessive load (e.g. mechanical or electric shock, heat, direct sunlight).

NOTES FOR DISPOSAL



Dispose of the appliance and packaging must be effected in accordance with the corresponding local regulations and requirements for electrical appliances and packaging. Please contact your local disposal company.

Do not dispose of electrical appliances as unsorted municipal waste, use separate collection facilities. Contact your local government for information regarding the collection systems available. If electrical appliances are disposed of in landfills, dumps, or refuse incineration, hazardous substances can leak into the groundwater or can be emitted into air, thus getting into the food chain, and damaging your health and well-being as well as poisoning flora and fauna. When replacing old appliances with new once, the vendor is legally obligated to take back your old appliance for disposal at least for free of charge.

INFORMATION AND SERVICE

Please check www.gastroback.co.uk for further information. For technical support, please contact Gastroback Customer Care Center by phone:

+49 (0)4165/22 25-0 or e-mail info@gastroback.co.uk.

Please refer to our home page for a copy of these operating instructions in pdf format.

WARRANTY

We guarantee that all our products are free of defects at the time of purchase. Any demonstrable manufacturing or material defects will be to the exclusion of any further claim and within 2 years after purchasing the appliance free of charge repaired or substituted. There is no Warranty claim of the purchaser if the damage or defect of the appliance is caused by inappropriate treatment, over loading or installation mistakes. The Warranty claim expires if there is any technical interference of a third party without a written agreement. The purchaser has to present the sales slip in assertion-of-claim and has to bear all charges of costs and risk of the transport.

Note:

Customers from Germany and Austria: For repair and service, please send Gastroback products to the following address:

Gastroback GmbH, Gewerbestr. 20, D-21279 Hollenstedt, Germany.

Customers from other countries: Please contact your dealer.

Please agree that we cannot bear the charge of receipt. Submission of appliances: Please ensure packing the appliance ready for shipment without accessories. Add the sales slip and a short fault description. The processing time after receipt of the defective appliance will be approx. 2 weeks; we will inform you automatically. After the warranty period, please send defective appliances to the given address. You will get a free quotation and, thereafter, can decide, whether we shall repair the appliance to the costs possibly accrued, send back the defective appliance for free of charge, or dispose of the appliance for free of charge.

The appliance is intended for household use only and NOT suited for commercial usage. Do not attempt to use this appliance in any other way or for any other purpose than the intended use, described in these instructions. Any other use is regarded as unintended use or misuse, and can cause severe injuries or damage. There is no warranty claim of the purchaser if any injuries or damages are caused by unintended use.

GASTROBACK GmbH

Gewerbestraße 20 . 21279 Hollenstedt / Germany
Telefon +49(0)41 65 / 22 25-0 . Telefax +49(0)41 65 / 22 25-29
info@gastroback.co.uk . www.gastroback.co.uk

20210126