

GASTROBACK®

Operating Instructions

Design Coffee *electronic*



Art.-No. 42700 Design Coffee *electronic*

Read all provided instructions before first usage!
Model and attachments are subject to change!
For domestic use only!



Carefully read all provided instructions before you start running the appliance and pay regard to the warnings mentioned in these instructions.

Table of Contents

Knowing Your New Coffeemaker	25
Important Safeguards	26
High Temperature - Risk of Burns	28
Technical Specifications	29
Operation	29
Before First Use	29
Preparing Some Cups of Coffee	30
Freshness Timer and Automatic Switching Off	32
The Pause & Serve Function	32
Adjusting the Warming Plate Temperature	33
Automatic Operation	33
Adjusting the Clock	33
Selecting the Auto Brew Start Time	34
Starting Automatic Operation	34
Useful Tips	35
Care and Cleaning	36
Cleaning the Filter Basket	36
Cleaning the Coffeemaker	37
Decalcifying the Coffeemaker	37
Solving Problems	38
Storage	40
Information and Service	40
Notes for Disposal	40
Warranty	40
Index	41

Dear customer!

Congratulations on your purchase of the Design Coffee *electronic*, the new coffeemaker from Gastroback. Using the Design coffee *electronic*, only a few simple touches are necessary to brew an excellent coffee. By means of the automatic operation, the coffeemaker will wait for you with freshly brewed coffee for instance, on your lunch break.

The information in this booklet will easily and quickly exploit many helpful features of your coffeemaker for you to get the delight of a wonderful coffee.

Your Gastroback GmbH

Knowing Your New Coffeemaker



Important Safeguards

Carefully read all instructions before operating this appliance and save the instructions for further reference. Do not attempt to use this appliance for any other than the intended use, described in these instructions. Any other use, especially misuse, can cause severe injuries or damage by electric shock, heat or fire.

Any operation, repair and technical maintenance of the appliance or any part of it other than described in these instructions may only be performed at an authorised service centre. Please contact your vendor.

- This appliance is for household use only and NOT intended for use in moving vehicles. **Do not** operate or store the appliance in humid or wet areas or outdoors, or where it is exposed to inadmissible strain. Always keep the appliance and any parts of it where it is out of reach of young children.
- Check the entire appliance regularly for proper operation. Water reservoir, glass carafe, and filter basket may not have any scratches or cracks, the power cord may not be broken, crackly or melted, and the pins of the power plug must be clean, smooth, and without discoloration. To avoid risk of fire, electric shock or any other damage and/or injuries to persons, **do not** operate the appliance, when the appliance or any part of it was subject to inadmissible strain (e.g. overheating, mechanical or electric shock, leakage), or if the appliance is not working properly. Do not use the appliance, if water accumulates under the appliance during proper operation. In this case, immediately unplug the appliance and return the entire appliance (including all parts and accessories) to an authorised service centre for examination and repair.
- Do not attempt to operate the appliance by using any parts or accessories (e.g. glass carafe and filter basket) or consumables (filter bags) not recommended by the manufacturer to avoid risk of overheating, fire, and/or electric shock. Damaged or unsuitable parts could break or become distorted during operation, and cause severe injuries to persons, or damage to the appliance. **Especially, usage of unsuitable filter bags or other vessels than the supplied glass carafe can cause hazards due to hot water or steam, or electric shock, or fire.**
- When moving the appliance, always grasp the appliance with both hands at the side panels near the bottom. DO NOT carry the appliance at the water reservoir or filter basket chamber to avoid damage.
- Operate the appliance on a well accessible, stable, level, dry, heat-resistant, and suitable large table or counter. **Do not** use the appliance in wet or damp areas. Always keep the appliance and the table or counter clean and dry, and wipe off spilled liquids immediately. **Do not place the appliance near the edge of the table or counter or on wet or inclined surfaces or where it can fall.**
- **Do not** place the appliance or any part of it on or near hot surfaces (e.g. heater, gas burner, grill or oven). Do not operate the appliance beneath any heat-sensitive or moisture-sensitive materials or beneath boards or drop-lights to avoid damage caused by steam, condensate or fire. During operation keep the appliance in an appropriate distance of at least 20 cm on each side to furniture, walls, boards, curtains and other objects.

- Close supervision is necessary when the appliance is used near young children. **Do not let young children play with any parts of the appliance or the packaging.** The appliance is not intended for use by children or infirm persons without supervision. For storage always keep the entire appliance dry and clean and where young children cannot reach it.
- Do not place any clothes, tissues or other foreign objects below, or on the appliance, on the warming plate, in the water reservoir or filter basket, to avoid risk of fire, electric shock and overheating. Do not place any hard, sharp-edged and/or heavy objects on the appliance or any part of it.
- Always ensure that the appliance is assembled completely and correctly, before switching ON. This holds for activating automatic operation (AUTO ON button) as well. Very hot water and steam pour out of the holes on the inner side of the cover of the appliance. **Always allow the appliance to cool down before opening the cover.**
- For normal operation only fill pure drinking water in the water reservoir. For decalcifying use vinegar solution. (See: Decalcifying Your Coffeemaker) **Do not fill in any other liquids. DO NOT overfill the water reservoir, exceeding the water level indicator 12 (maximum)!** Fill the water reservoir with care to avoid spilling water on the appliance. Immediately wipe off spilled water. **Do not operate the appliance without the filter basket properly in place.** Only use filter bags recommended for the appliance.
- **If liquids got into the housing of the appliance, or run out from under the appliance during the brewing cycle, immediately switch OFF (ON/OFF button), unplug, allow to cool down to room temperature and completely empty the water reservoir. Thereafter send the appliance to an authorized service centre for repair.** However, when opening the cover, condensate could drip from the cover and run down on the back of the appliance. In this case, immediately wipe off the condensate.
- Always switch OFF the appliance, unplug, and allow to cool down before cleaning or moving the appliance, or if you do not wish to use the appliance for some days.
- **DO NOT place the appliance or any part of it in an automatic dishwasher!**
- **Do not** use abrasive cleaners, cleaning pads or any hard and sharp objects (e.g. metal scouring pads) or aggressive liquids or chemicals (e.g. disinfectant, decalcifier) for cleaning. This applies the glass carafe too, because scratches can possibly cause glass to break. **Do not** immerse the appliance or power cord in water or any other liquid. **Do not** spill or drip any liquids on the appliance, power cord, or the heating plate to avoid risk of fire and electric shock. When liquids are spilled on the exterior or under the appliance, immediately switch OFF the appliance, unplug the power cord and dry the appliance and the table or counter. Do not handle the appliance or any part of it with violence. **Do not** attempt to clean or dry the interior of the water reservoir with clothes, brushes or anything similar.
- The glass carafe could break or burst on careless handling. Always take special care, when handling the glass carafe to avoid severe injuries or damage due to hot water and/or splinters.

- **Do not** use the glass carafe for any other than the intended use, or with any other drip-type coffeemaker, on a range top, or in a microwave oven. Do not stir inside the glass carafe with any hard objects (e.g. spoon or cooking utensils).

- Do not use a cracked or scratched glass carafe or if the handle is loose or weakened. **Do not** drink the beverage, if the glass carafe is damaged in any way (e.g. cracked, broken). Do not drink directly from the glass carafe. Always check beverages for broken glass before drinking.

- Do not use ice cubes in the glass carafe, or place the glass carafe in the refrigerator. Do not place the hot glass carafe on a cold surface, because the glass could burst. When in use, always grasp the glass carafe by the handle to move it.

A short power cord is provided to reduce the risks of becoming entangled in or tripping over the power cord.

- Place the appliance near a suitable wall power socket to connect the appliance directly to a mains power supply outlet with protective conductor (earth/ground) connected properly. Ensure that the voltage rating of your mains power supply corresponds to the voltage requirements of the appliance (220/240 V, 50 Hz, AC, rated for 16 A). Exercise caution, when using an extension cord. The extension cord must be grounded properly and rated for 16 A. **Do not use a multi socket outlet.**

The installation of a residual current safety switch with a maximum rated residual operating current of 30 mA in the supplying electrical circuit is recommended. If in doubt, contact your electrician for further information.

- Always handle the power cord with care. The power cord may never be knotted, twisted or squeezed. Do not pull or strain the power cord. Do not let the plug or power cord hang over the edge of the table or counter. Take care that the power cord will not get tangled up, and no one will trip over the power cord or pull the appliance by the power cord, especially when young children are near. Always grasp the plug to disconnect the appliance from the power outlet. Do not touch the plug or appliance with wet hands, when the plug is connected to the power supply.

- Immediately unplug the appliance, when the appliance or any part of the appliance is wet or leaks and/or water is running from under the appliance during operation.



High Temperature - Risk of Burns

- Some parts of the appliance get very hot during operation and hot water or steam pour out (cover, glass carafe). Additionally, the warming plate is electrically heated as long as the appliance is switched on. Even some minutes after switching off the appliance, the appliance and some parts of it are still hot. During operation only touch the appliance and any part of it at the operating buttons and handles.

- Even with the cover properly closed hot steam can pour out of the appliance. **Do not** hold your hands, arms, or face, or any objects sensitive to moisture or heat over the appliance to avoid injuries and damage. The warming plate is intended for keeping warm the supplied glass carafe exclusively. Do not place any other objects on the warming plate.

- Always allow the appliance to cool down to room temperature before opening the cover and/or disassembling any part of the appliance (e.g. filter basket) and/or moving or cleaning the appliance. Always empty the water reservoir completely, before transportation, cleaning or storing the appliance.

Technical Specifications

Model:	Art.-No. 42700 Design Coffee <i>electronic</i>
Power supply:	220/240 V AC, 50 Hz
Power consumption:	950 Watt
Length of power cord:	ca. 110 cm
Weight:	ca. 2.3 kg
Dimensions: (width x depth x height)	ca. 125 mm x 220 mm x 360 mm
Maximum capacity of water reservoir:	1.7 Litre (ca. 12 cups)
Filter bags:	Coffee filter bags, size 1 x 4
Certification:	 

Operation

Before First Use

WARNING: DO NOT allow young children play with the appliance, or any part of it, or the packaging!

It is important to carefully remove all packaging and shipping/promotional materials as well as any price-tags. Ensure that there are no foreign objects (e.g. packaging) in the water reservoir or filter basket, before operating the appliance. Exclusively place the appliance on a stable, flat, and heat and moisture resistant surface of suitable size. (See: Important Safeguards)

DO NOT place the appliance on an inclined surface.

1. Unpack the appliance carefully, and remove all packaging and shipping/promotional materials, but DO NOT remove the model label. Check, if there are any parts damaged or missing.
2. Place the coffeemaker on a level (not inclined!), hard, and flat surface near a suitable wall power outlet. (See: Important Safeguards) and connect the coffeemaker to the power supply. The time display in the centre of the front panel illuminates.
3. Before first use and after storing it is recommended that you clean your coffeemaker by simply running through two brewing cycles with empty filter basket (**without filter bag and coffee powder**) as described in the section below. (See Preparing Some Cups of Coffee)

Preparing Some Cups of Coffee

WARNING: Always special care is necessary, when using any electrical appliance for heating water, to avoid risks of overheating, fire and electric shock. DO NOT leave the appliance unattended when it is in reach of young children. Always ensure that the appliance is assembled completely and correctly, before switching ON (ON/OFF button) the appliance. Do not move the appliance during or immediately after operation.

Do not place any clothes, tissues or any other foreign objects on or under the appliance, or on the warming plate. The warming plate is intended solely for keeping warm the glass carafe. **DO NOT place any clothes or napkins/serviettes or any other objects/vessels except the glass carafe on the warming plate.** Other vessels could melt or brake, or cause overheating on the warming plate, and moreover, the Pause & Serve mechanism will not open, thus coffee will overflow the filter basket and could get into the interior of the appliance.

Regularly check the entire appliance for proper operation and leakage.

(See Important Safeguards) Do not allow liquids run under or on the appliance. **If liquids got into the housing of the appliance, or run out from under the appliance** during the brewing cycle, immediately switch OFF (ON/OFF button), and unplug the appliance. (See Important Safeguards) However, when opening the cover, condensate could drip from the cover and run down on the back of the appliance. In this case, immediately wipe off the condensate.

Glass could brake or burst on careless handling, and splinters could get into the interior. DO NOT drink directly from the glass carafe. DO NOT use the glass carafe or drink the contents of the glass carafe, when there are cracks, scratches or splintered edges in the glass carafe. Do not overfill **the water reservoir. When filling up the water reservoir, always ensure that the water level may not exceed the water level indicator 12.** Only use clean tap water. **Do not fill in mineral water.**

DO NOT operate the appliance without the filter basket properly installed!

Only use filter bags of suitable size (1 x 4). Thoroughly lay out the filter basket with the filter bag. The filter bag must fit correctly into the filter basket, and may not protrude from the brim of the filter basket.

1. Fill the carafe with fresh, cold tap water (preferably filtered).

CAUTION: Always avoid spilling any water on the appliance. While filling the water reservoir, please watch the water level indicator to avoid over filling. There are overfilling holes on the back of the water reservoir to prevent exceeding the capacity of the coffeemaker. If you add too much water, it will leak out from these holes and run down the back of the appliance onto your counter. **Always wipe off spilled water immediately.**

2. Open the cover on top of the appliance and pour the water into the water reservoir to the desired level. There is a little tab on the right side of the cover you can use to lift the cover. The number of cups is shown by the water level indicator. We recommend making at least 4 cups.

3. Pour away the residue of water and place the glass carafe on the warming plate of the coffeemaker. **The lid of the glass carafe must be closed!** Otherwise, the Pause & Serve mechanism will not open and coffee will overflow over the brim of the filter basket.



4. Insert the filter basket into the appliance. The insert guide nipple at the upper brim of the filter basket must point to the back side of the coffeemaker. Gently press the filter basket down until it snaps into place.

5. Fold the seamed edges of a **suitable** coffee filter bag (size: 1 x 4), and carefully lay out the interior of the filter basket with the filter bag.

Note: Ensure not to damage the filter bag. Always use one single suitable filter bag that will not protrude from the filter basket, but fill out the filter basket completely. Ensure that the filter bag doesn't bend or fold. Use a fresh filter and fresh coffee powder for each brewing cycle.

CAUTION: Do not overfill the filter bag to avoid that the coffee will overflow to the brim of the filter basket. **Do not use more than 12 level measuring scoops of coffee.**

6. Fill in the desired amount of coffee powder in the filter bag. In most cases, a level measuring scoop of coffee powder per cup of coffee is suitable.

7. Close the cover of the coffeemaker.

WARNING: Ensure the glass carafe is correctly placed on the warming plate. **The cover of the coffeemaker and the lid of the glass carafe must be closed during operation.** Otherwise, hot water and steam could spill out, and the Pause & Serve mechanism will not open. The cover of the coffeemaker may not protrude from the upper edge of the coffeemaker. If the Pause & Serve mechanism is still closed the coffee will overflow over the brim of the filter basket and drip onto the base of the appliance.

The coffeemaker and the glass carafe get very hot during the brewing cycle. Please handle with care. **DO NOT** lift the cover of the appliance during or immediately after the brewing cycle. Even if no water is draining from the filter basket, extremely hot water/coffee can spill out from the filter basket and cause scalding.

Do not move the coffeemaker during or immediately after operation.

8. Press the ON/OFF button to switch on the coffeemaker and start the brewing cycle. Additionally the heating element of the warming plate is activated. The indicator lights of the ON/OFF button (red) and the WARMER button (orange) illuminate.

9. Ensure that water/coffee is dripping from the filter basket several seconds after switching ON the coffeemaker. If not, check whether the glass carafe is correctly in place on the warming plate. If the problem still persists, **IMMEDIATELY** unplug the unit and wait 10 minutes before opening and checking the filter basket. (See Solving Problems)

The brewing time depends on the amount of water in the water reservoir. Expect a brewing time of about 15 to 20 minutes for 12 cups of coffee. The warming plate will keep your coffee warm for up to 2 hours. Thereafter, the appliance switches OFF automatically.

Tip: When the brewing cycle needs noticeably too much time but at least after 3 months, you should decalcify your coffeemaker. Doing so, you will save energy and avoid that the taste of your coffee will be affected by lime deposits. (See Decalcifying Your Coffeemaker)
Connected to the power supply, the appliance uses a little amount of electricity, even when switched OFF. Do not leave the appliance connected to the power supply needlessly.

10. When the brewing cycle ends, and the water reservoir is empty, there may still be hot liquid in the filter basket. Wait a few minutes for the rest of the liquid to drain, before finally removing the glass carafe.

11. The coffeemaker will switch OFF automatically after 2 hours. However, always switch OFF the coffeemaker manually (ON/OFF button), when the glass carafe is empty or you no longer want to keep the coffee hot to avoid wasting energy. When the coffeemaker is switched OFF, the red light will no longer be illuminated.

12. After the coffee ground have cooled, you can remove and empty the filter basket. (See: Cleaning the Filter Basket).

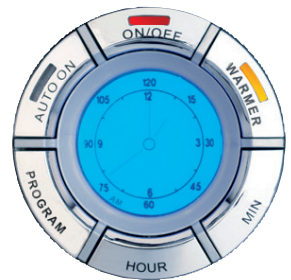
13. If two or more pots of coffee are to be made in succession, we recommend allowing the coffeemaker to cool for 10 minutes and rinse the filter basket between each brewing cycle.

14. When you finished brewing, you should unplug the coffeemaker, to avoid unnecessary power consumption. However, keep in mind that any programming for automatic operation will be deleted by doing so. (See Automatic Operation)

Freshness Timer and Automatic Switching Off

After the brewing cycle has finished, the Freshness Timer starts counting the elapsed time. Every 5 minutes, a dash will appear on the outside edge of the clock face.

The coffeemaker will keep your coffee warm during this period of time. The timer continues running until you switch off, but up to 120 minutes at the most, at which time the coffeemaker will switch **OFF** automatically.



The Pause & Server Function

The Pause & Serve function allows you to pour out some coffee, while the brewing cycle is still running. There is no need to interrupt the brewing cycle manually.

WARNING: DO NOT remove the glass carafe from the coffeemaker for more than a few seconds, because this will temporarily stop the coffee from dripping into the carafe, it does not stop the brewing cycle. **ALWAYS ensure that the Pause & Serve mechanism is closed and the coffee will not run on the warming plate, when removing the glass carafe.** When the coffeemaker is switched **ON** and there is still water in the water reservoir, the filter basket could overflow and water could run into the housing of the appliance. Thus, the carafe must be immediately returned to the warming plate to open the Pause & Serve mechanism.

1. You may take the glass carafe out of the coffeemaker **for a short time** to pour out some coffee. The Pause & Serve mechanism stops the dripping of coffee from the filter basket.

CAUTION: If coffee ground or lime block the Pause & Serve mechanism, the coffee will drip on the warming plate. In this case **IMMEDIATELY** place back the glass carafe on the warming plate, wait until the filter basket has completely run dry and cooled down. Thereafter, clean the filter basket thoroughly. (See: Cleaning the Filter Basket) However, it is normal, when just one

or two drops fall from the filter basket, after removing the glass carafe.

2. IMMEDIATELY put back the glass carafe on the warming plate to avoid that the filter basket will overflow. Doing so, ensure that the coffee drips into the glass carafe again.

Adjusting the Warming Plate Temperature

The coffeemaker offers the option of adjusting the temperature setting of the warming plate to slightly reduce the temperature of the coffee after it has been brewed. When starting a new brewing cycle manually, a steady orange light indicating the higher temperature setting will appear on the **WARMER** button.

1. In order to reduce the temperature setting of the warming plate, push the **WARMER** button once, and the steady orange light will then blink.

The Temperature setting (high or low) will continue to operate as long as the unit is **ON**. After switching off, the coffeemaker will maintain the temperature of the higher setting, indicated by the steady orange light.

2. To increase the warming plate temperature to normal operation, simply press the **WARMER** button again. The orange light will shine continuously.

Automatic Operation

Using the automatic operation feature, you can program your coffeemaker to prepare your coffee automatically on a pre-defined time (e.g. on your lunch break).

WARNING: Please keep in mind that the coffeemaker will be left unattended, while connected to the power supply, and during operation. Thus, special care is necessary to avoid injuries to persons or damage caused by fire, electric shock or hot liquids or steam. **Thus, closely and meticulously keep to the instructions in the section Important Safeguards.** Always ensure that you prepared the coffeemaker correctly and completely for the brewing cycle, before activating automatic operation.

We strongly recommend, performing and attending a normal brewing cycle to learn, how to operate your coffeemaker correctly, before using automatic operation. In this way you will recognize problems, arising from handling your coffeemaker.

Adjusting the Clock

You may set the clock any time before, during or after brewing. However, you must connect the coffeemaker to the power supply. The coffeemaker will keep the setting as long as it is connected to the power supply.

1. Press the **HOUR** or **MIN** button to set the current time. Press and hold the button and the hands of the clock will move around the clock face and stop, when you release the button.

Note: AM indicates the morning hours; **PM** indicates the afternoon.

Selecting the Auto-Brew Start Time

Note: For adjusting the start time the clock must be set. (See: Setting the Clock)

1. Press the **PROGRAM** button. The letter **"P"** will blink on the lower left of the display.
2. Adjust the time you want to start the brewing cycle by using the **HOUR** and **MIN** buttons following the procedure for setting the clock.

Note: Make sure the **AM** (in the morning) or **PM** (in the afternoon) indicator is properly set. If the wrong symbol is displayed, press the **HOUR** button to let the little hand move around the clock for additional 12 hours.

3. After ca. 20 seconds without any key pressed, the coffeemaker will automatically switch back to normal operation, the blinking program icon **"P"** will be deleted from the display and the clock will return to the current time.
4. To check or change the auto brew start time, simply press the **PROGRAM** button and the pre-set start time will be shown on the LCD display and **"P"** blinks again. You can change the adjusted start time as you like. With no buttons pressed, the display will automatically return to the current time after ca. 20 seconds.

Starting Automatic Operation

WARNING: Special care is necessary, when leaving any electrical appliance unattended while connected to the power supply and during operation. Always ensure that the coffeemaker is prepared correctly and completely for a brewing cycle, according to the instructions in section Preparing Some Cups of Coffee, before starting automatic operation, and leaving the coffeemaker unattended, while connected to the power supply and during operation.

Especially ensure that the filter basket and glass carafe are inserted correctly and the cover of the coffeemaker is closed properly.

Note: Automatic operation is possible only, when clock and start time are adjusted. The temperature setting of the warming plate used during brewing will be the same as what was set during programming.

1. Ensure that you prepared the coffeemaker correctly and completely for the brewing cycle. (See: Preparing Some Cups of Coffee)

WARNING: Ensure that the filter basket and glass carafe are inserted properly. The covers of coffeemaker and glass carafe must be closed fully. The glass carafe must open the Pause & Serve mechanism.

2. Adjust the clock and select the desired start time. (See: „Adjusting the Clock“ and „Selecting the Auto Brew Start Time“)
3. Press the **AUTO ON** button. A green light will appear indicating that automatic operation is **ON**. The prepared brewing cycle will be started on the preselected time without any further manual action.

Tip: You can switch off automatic operation quite easily by pressing the **AUTO ON** button again. The green light will expire and the coffeemaker is in normal operation again. When the brewing cycle starts, the green light on the **AUTO ON** button will go out and the red light of the **ON/OFF** button will be illuminated to indicate that the coffeemaker is in operation. After the brewing cycle, the coffeemaker is in normal operation again, keeping your coffee warm and displaying the Freshness Timer. (See: „Freshness Timer“ and „Automatic Switching Off“)

WARNING: Before activating the automatic operation again by pressing the AUTO ON button, always ensure that the coffeemaker is prepared completely and correctly for a brewing cycle!

Tip: The coffeemaker saves the time settings (clock and start time) as long as it is connected to the power supply. To restart automatic operation on the same pre-set time **within the next 24 hours, carefully prepare your coffeemaker for the brewing cycle** and, thereafter, simply press the **AUTO ON** button. The green LCD light will illuminate on the **AUTO ON** button.

Useful Tips

You can easily learn how to prepare a good coffee. In this chapter you will find some hints for this purpose. Generally, coffee is the best and freshest shortly after brewing.

Tip: Choose the taste of your coffee according to your own particular liking. The coffee brand and the way of grinding the coffee (fine or coarse) are essential for the results. Just give it a try! Store your coffee (powder or whole beans) in a closely shut container on a cool, dry place. However, it is better not to place the coffee in the refrigerator or the freezer compartment.

You may buy grinded coffee. In this case, you should consume the coffee within a week, because the flavour will evaporate gradually. The way of grinding (fine or coarse) will affect the brewing time, and as a result, the quality of your coffee. However, make sure that the coffee powder is suitable for drip coffeemakers.

We recommend buying coffee beans and grinding your coffee just before use. Coffee beans should not be stored for more than 1 month.

Experiment with the amount of coffee used in order to adjust the flavour to your taste. Start with the coffee/water ratio you normally use for preparing coffee. If you prefer strong coffee, we recommend using one level measuring scoop for each cup (ca. 100 – 150 ml) or 10 level measuring scoops per full pot of coffee, **but never use more than 12 level measuring scoops of coffee powder.**

The amount of brewed coffee will be a little less than the water placed in the water reservoir since some water is absorbed by the coffee ground and the filter bag.

Care and Cleaning

WARNING: Cover, filter basket, glass carafe, and warming plate will get very hot during operation. Additionally, hot water and steam can pour out during operation. Always switch **OFF (ON/OFF button)**, unplug, allow cooling down, moving or cleaning the appliance. Additionally, empty the water reservoir before transportation or storage.

Do not place the appliance or any part of it in an automatic dishwasher! Do not immerse the appliance or power cord in any liquids. Do not pour any liquids over the appliance or the power cord.

Do not use aggressive chemicals (bleach, disinfectant, or decalcifier), abrasive cleaners, or hard or sharp objects on any part of your coffeemaker.

Do not use violence to avoid damage. Especially the Pause & Serve mechanism of the filter basket and the hinges of the covers of water reservoir and glass carafe are sensitive to careless handling.

Cleaning the Filter Basket

WARNING: Do not lift the cover of the coffeemaker during or immediately after the brewing cycle. Even if the water reservoir seems to be empty, hot water and steam could spit out of the holes in the middle of the cover and cause scalding. After brewing is completed, there can still be some **HOT** liquid in the filter basket.

Always switch **OFF** the appliance (**ON/OFF button**), before opening the cover of the appliance. Allow to drain completely, and to cool down for at least 10 minutes. Remove the filter basket carefully.

1. Switch **OFF** the appliance (**ON/OFF button**), and allow to cool down for at least 10 minutes. Ensure that the cover of the coffeemaker has cooled.

Note: When lifting up the cover of the coffeemaker, condensation can drip down the back and onto your counter. This does not mean that the appliance is leaking. **Immediately wipe off the condensate using a clean dry cloth.**

2. Open the cover of the coffeemaker and carefully remove the filter basket. For this, grasp the tabs on each side of the filter basket, and lift the filter basket straight up from the coffeemaker.

3. Discard the used filter bag and grounds in the dustbin for domestic refuse. However, the grounds (without filter bag!) can be composted.

Note: Do not wash away the coffee grounds in the sink.

CAUTION: Always handle the filter basket with care to avoid damage to the Pause & Serve mechanism.

4. Rinse the filter basket after each brewing cycle with tap water. On occasion, carefully clean the filter basket with warm dishwasher using a soft nylon brush.

Cleaning the Coffeemaker

1. Always unplug the appliance and allow cooling down before cleaning.
2. Open the cover of the coffeemaker, grasp the filter basket at the tabs, and pull out the filter basket. Empty the filter basket. (See: Cleaning the Filter Basket)

CAUTION: The hinges of the covers of the appliance and/or glass carafe are sensitive to careless handling. Handle with care to avoid damage.

3. Remove the glass carafe from the coffeemaker, carefully clean the glass carafe in warm dishwater.
4. Wipe the exterior of the coffeemaker and the warming plate with a soft, damp cloth. In doing so, take care not to damage the hinge of the cover.
5. Stubborn stains on the warming plate may be removed by use of a plastic mesh pad or a cloth dampened in vinegar.
6. Thereafter, using a soft, clean cloth, dry the exterior of the coffeemaker and all its parts thoroughly.

Decalcifying Your Coffeemaker

CAUTION: Do not immerse the warming plate or main housing in water or any other liquid. Do not try to clean the interior of the water reservoir with a cloth, as this will leave a residue of lint that may clog your coffeemaker. Do not poke around in the water reservoir to avoid damage. Just rinse with cold water periodically. **Do not operate the appliance without the filter basket properly in place. Do not use any aggressive chemicals or decalcifier.**

The build-up of lime in drip coffeemakers is normal and is caused by the minerals commonly found in drinking water. When your appliance needs decalcifying you will notice an obvious slow down in brewing time. This results in an increase of energy consumption and possibly the taste of the coffee will be affected.

Thus, depending on the water hardness and usage, your coffeemaker needs decalcifying periodically, to remove lime deposits (every 2 – 3 months). For this, we recommend a solution of two tablespoons of white vinegar in 1.5 Litres of cold water.

1. **For decalcifying, always install the empty filter basket properly.**
2. Pour the vinegar solution into the water reservoir and place the glass carafe on the warming plate. **Do not use a filter bag and coffee.**
3. Connect the appliance to the power supply, and press the **ON/OFF** button to switch **ON** the appliance.
4. When the brewing cycle is finished, empty the glass carafe and rinse with water.

5. Refill the water reservoir with cold tap water and repeat the brewing cycle with water only.

6. Refill the water reservoir again with cold tap water and repeat the brewing cycle a second time using only water. This will rinse out any remaining vinegar solution. Thereafter, the coffee-maker is ready for use again.

Solving Problems

Problem	Possible Reason	The Simple Solution
You cannot close the cover of the coffeemaker properly.	The filter basket is not inserted correctly.	The insert guide nipple on the filter basket must face to the back side to the coffeemaker. Gently press down the filter basket until it engages noticeably.
	The filter bag is too large.	Only use filter bags of suitable size (1 x 4).
Coffee ground is in the glass carafe.	The filter bag overflowed.	Use less coffee powder.
	The filter bag is clogged.	Only use one single filter bag at the same time, and coffee powder that is suited for drip coffeemakers.
Coffee drips on the warming plate, when removing the glass carafe.	The Pause & Serve mechanism is blocked.	IMMEDIATELY place the glass carafe back on the warming plate. Wait until the filter basket is completely empty. Clean the filter basket thoroughly. See: Care and Cleaning
On each use, the clock starts at 0:00.	The setting of the clock will be deleted when the appliance is unplugged. Also after power failure, the clock starts at 0:00	Adjust the clock.
You can not enter the desired settings for automatic operation.	The clock is not adjusted.	Adjust the clock.
You can not pre-select the reduced temperature of the warming plate for automatic operation.	The appliance is switched OFF during programming.	You can only program the temperature of the warming plate, if the appliance is in operation (red light of ON/OFF button and orange light of WARMER button are illuminated). Adjust the clock. Especially, pay attention to the symbols AM (in the morning) and PM (in the afternoon)
The automatic operation did not start at the selected start time.	The setting of the clock is incorrect. The start time is not programmed correctly.	Adjust the start time. Especially, pay attention to the symbols AM (in the morning) and PM (in the afternoon). Adjust the start time. Especially, pay attention to the symbols AM (in the morning) and PM (in the afternoon).

Problem	Possible Reason	The Simple Solution
The coffee does not drip in the glass carafe. There is no water in the filter bag.	The water reservoir is empty.	Fill in a sufficient amount of water.
	The appliance is switched OFF; probably automatic operation (AUTO ON) is selected.	Press the ON/OFF button to switch the appliance ON.
<p>Coffee runs down on the outer side of the filter basket and glass carafe and drips on the warming plate</p> <p>WARNING: IMMEDIATELY switch OFF and unplug the appliance.</p>	The coffee powder is too fine.	Use coffee powder suitable for coffeemakers.
	Too much coffee powder is in the filter bag.	Measure out a sufficient amount of coffee powder, using the measuring scoop. (See Preparing Some Cups of Coffee)
	The filter bag is clogged or unsuited for the coffeemaker.	Always use filter bags recommended for your coffeemaker. Do not use more than one filter bag at the same time.
	The filter basket is not installed properly.	Insert the filter basket properly. See Preparing Some Cups of Coffee
	The Pause & Server mechanism is still closed	The Pause & Server mechanism closes the opening in the bottom of the filter basket, when the glass carafe is not correctly in place and/or you use an unsuited glass carafe. Only operate the appliance with the supplied glass carafe.
The brewing cycle needs too much time.	The pipes in the appliance are clogged with lime.	Decalcify the appliance.
The coffee runs through too fast and/or is watery.	The coffee powder is grounded too coarsely.	Only use coffee powder suited for drip coffeemakers.
	The used amount of coffee powder is too small.	Measure out a sufficient amount of coffee powder, using the measuring scoop. (See Preparing Some Cups of Coffee)
The coffee is too cold.	The warming plate temperature is reduced, and the orange light of the WARMER button blinks.	Press the WARMER button to switch back to normal temperature.
The appliance makes pulsing, pumping and sucking noises during operation.	These are normal noises during operation.	-/-

Storage

WARNING: Always unplug the appliance, when it is not in use for a longer period of time. Always wait until the appliance completely cooled down, than empty filter basket, glass carafe and water reservoir before storing. Always place the appliance on a stable, level, clean, and dry surface, where it is save from inadmissible strain (e.g. fall, shock, frost) and out of reach of young children. The power cord may never be knotted, twisted or squeezed. Do not place any hard or heavy objects on the appliance or any part of it. Do not pull or strain the power cord. Do not let the plug or power cord hang over the edge of the surface. Ensure that no one can pull the appliance by the power cord.

1. Insert the filter basket properly and close the cover.

CAUTION: Do not grasp the appliance by the water reservoir or filter basket chamber.

2. To move the appliance, grasp it with both hands on the side panels near the bottom. Place the appliance on a suitable, stable surface, where it is out of reach of young children. Place the glass carafe on the warming plate of the appliance.

3. Carefully and loosely lay the power cord around the appliance. Doing so, do not pull or bend the power cord. Ensure that no one will pull the appliance by the power cord, especially when young children are near.

Information and Service

Please check www.gastroback.de for further information. For technical support, please contact Gastroback Customer Care Center by phone: +49 (0)4165/22 25-0 or e-mail info@gastroback.de.

Notes for Disposal

Dispose of the appliance must be effected in accordance with the corresponding local regulations and requirements for electrical appliances. Please contact your local disposal company.

Warranty

We guarantee that all our products are free of defects at the time of purchase. Any demonstrable manufacturing or material defects will be to the exclusion of any further claim and within warranty limits of the law free of charge repaired or substituted. There is no Warranty claim of the purchaser if the damage or defect of the appliance is caused by inappropriate treatment, over loading or installation mistakes. The Warranty claim expires if there is any technical interference of a third party without an written agreement.

The purchaser has to present the sales slip in assertion-of-claim and has to bear all charges of costs and risk of the transport.

Index

| A |

AM/PM indicator33, 44
AUTO ON button 25, 34, 35
automatic operation33, 34
automatic switch-off 32

| B |

brewing cycle31, 32
brewing time 31
buttons 25

| C |

capacity29
carafe 25, 27, 28
care 36
check for proper functioning26
cleaning27, 36
clock 25, 32, 33, 34
coffee powder 31
condensate 30

| D |

decalcify31, 37
disposal36, 40

| E |

energy consumption 25, 31, 32
extension cord 28

| F |

filter bag 29, 31, 36
filter basket 30, 31, 36
first use29
Freshness Timer 32

| G |

glass carafe 25, 27, 28

| I |

indicator lights 25, 32, 34
intended use 26

| M |

maximum quantity of coffee35
maximum water level29, 30
minimum quantity 30

| O |

operating elements25
overfilling holes25, 30

| P |

Pause & Serve mechanism 25, 30, 32
power consumption 29, 31, 32
power supply28, 29
PROGRAM button25, 34

| R |

reduce temperature 33

| S |

safety instructions 26, 27, 28
service centre40
solving problems27, 38
start time34
storage40

| T |

technical specifications29
tips35

| W |

WARMER button 25, 31, 33
warming plate25, 33
water 30
water level indicator25, 30
water reservoir25, 30
workspace26, 70

GASTROBACK GmbH

Gewerbestraße 20 · D-21279 Hollenstedt / Germany

Telefon +49 (0)41 65/22 25-0 · Telefax +49 (0)41 65/22 25-29

info@gastroback.de · www.gastroback.de